



Model **J3-2610**



Doc: J3/2610/01

Nov 2007

Electrically operated hygienic 316L SS ball valve with kit

2 way 3 piece 316L stainless steel ball valve with polished wetted parts and cavity filled PTFE seats, designed for automation with integrally cast ISO5211 actuator mounting platform fitted with **J3** electric actuator via stainless steel mounting kit. Supplied assembled and dry bench function tested. Size range from 1/2" to 2". Ends imperial butt weld OD or clamp type.

Type Function

- J3-2613** Standard power to open - power to close
 - Stays put on mains failure
- J3-2614** Failsafe BSR - Battery Spring Return
 - Fails to safe position using an internal battery
- J3-2615** Modulating DPS - Digital Positioning System

Applications:

Water, oil and many corrosive medias, subject to compatibility with wetted parts in contact with media. Actuators sized on a maximum differential pressure of 10 bar wet service, if the intended duty is above this differential, or dry (air or gas) call to check actuator sizing as a larger output actuator may be required.

Maximum working temperature of assembly is +130C. If the intended duty is a higher temperature than this, contact us to discuss an extended mounting kit between the valve and actuator.

Valve Specifications:

Body	CF3M Cast 316L SS
Ball	CF3M Cast 316L SS
Seats	Cavity filled virgin PTFE
Pressure rating	UT1 2" 1000psi CWP
Valve temp limits	-20 to +200°C
Actuator temp limits	-20 to + 70°C

Status light basic functions:

Constantly lit LED

The LED flashes with 2 blinks

The LED flashes on/ off

If the actuator is operating correctly with no faults, the LED shows a constantly lit light.

If the actuator has been left in 'manual' mode, the actuator's motor runs but doesn't drive the output shaft. After a pre-set time, the actuator knows that as the torque limiter has not activated and that the motor is running, it must be in manual.

When the actuator senses an impending valve jam, the electronic torque limiter is activated and on activation, repeatedly flashes the LED on and off.



Quick guide to the **J3** electric actuator standard features :

Highly visible LED light gives continuous actuator status indication.

J3 L - 12-24V AC/DC

J3 H - 80-240V AC/DC

Multi-voltage capable with auto-voltage sensing:

Torque output range:
25~95Nm Break
20~80Nm Reseat

Electronic torque limiter
Protects against valve jams

Anti-condensation heater

Manual override

All connections via external DIN plugs ~ no need to remove cover to connect

Volt free end of travel confirmation switches

IP65 weatherproof housing

CE marked

Traceable sequential serial numbering system

Optional failsafe kit (Battery Back-up) - actuator fails to safe position on power failure

Optional modulating kit with digital positioning system, either 0-10V or 4-20mA



Model J3

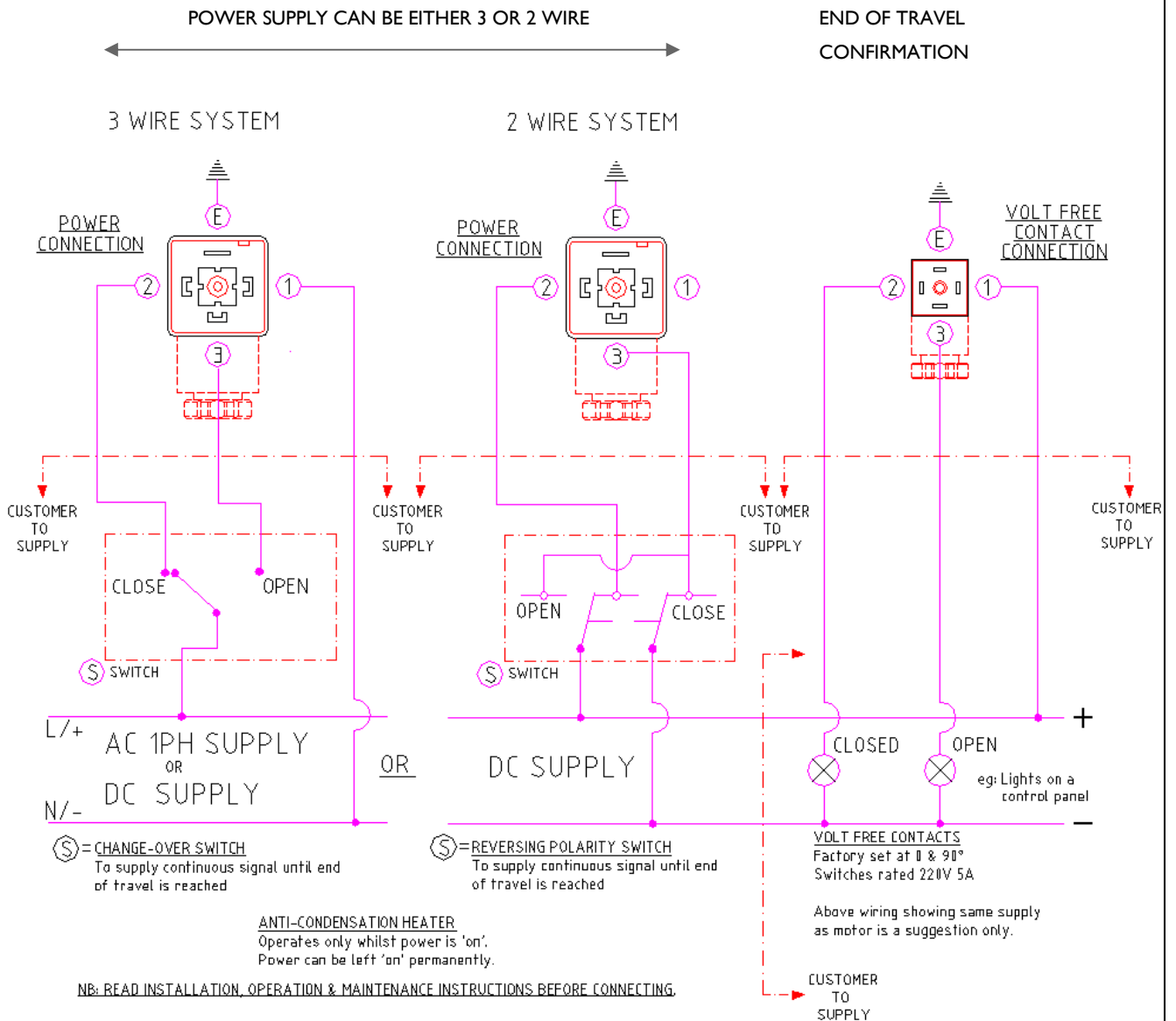
Wiring Diagram - AC or DC



Doc: J3/STD.WD/01

Jan 2008

AC (1ph) OR DC SUPPLY - WIRING FOR ON-OFF OR FAILSAFE ACTUATORS



FUNCTION: ON-OFF VERSION

Power open, power close
Stays put on mains power failure

FUNCTION: FAILSAFE VERSION

Power open, power close - trickle charges battery system in either open or closed position
Actuator sent by battery power to pre-set failsafe position on power failure
Actuator returns to pre-failure position on power resumption.
Failsafe can be either NC (normally closed) or NO (normally open)



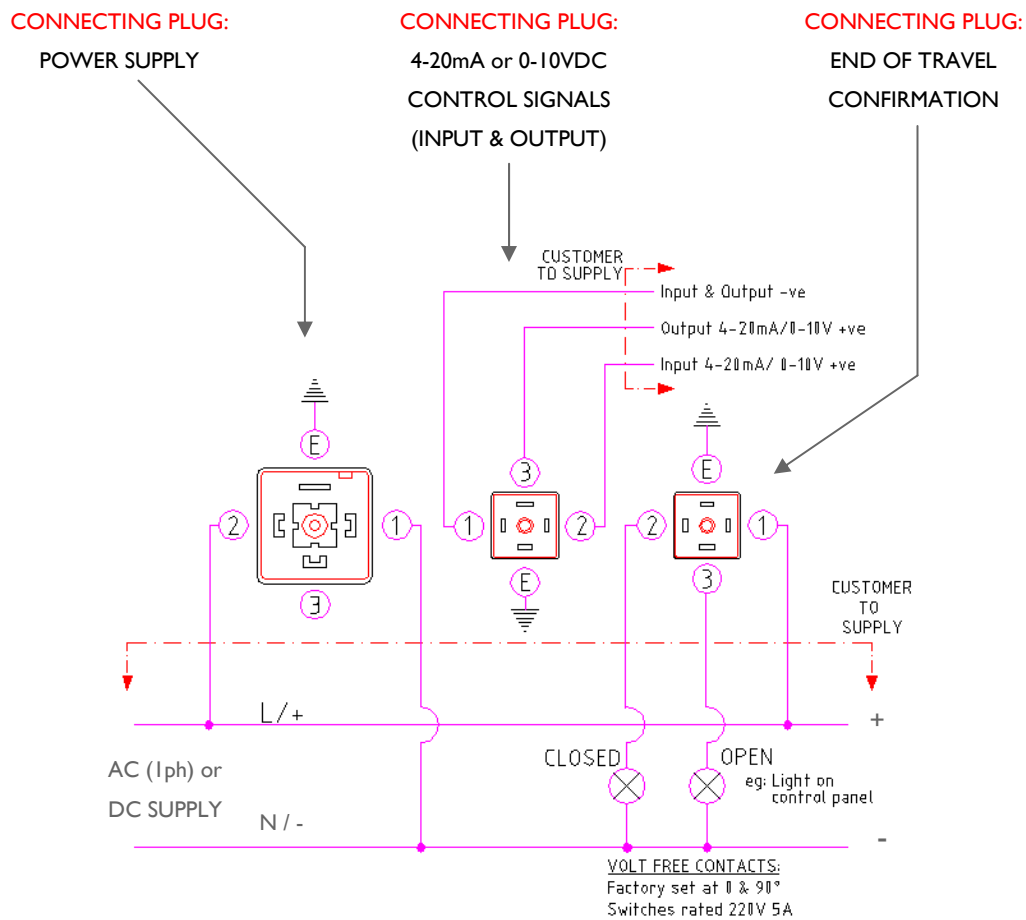
Model **J3** Wiring Diagram - AC or DC



Doc: J3/STD.WD/01

Jan 2008

AC (1ph) OR DC SUPPLY - WIRING FOR MODULATING ACTUATORS



Above wiring showing same supply as motor is only a suggestion.

NB: READ INSTALLATION, OPERATION & MAINTENANCE INSTRUCTIONS BEFORE CONNECTING.

FUNCTION: MODULATING VERSION

Power open, power close - actuator movement controlled by input signal (4-20mA or 0-10VDC)
Standard operation: 4mA or 0V = actuator closed, 20mA or 10V = actuator open (can be reversed)
Standard operation: Actuator closes on loss of control signal, stays put on loss of mains power
Output signal (in same format as supply signal) provided as standard.



Model **J3-2610**

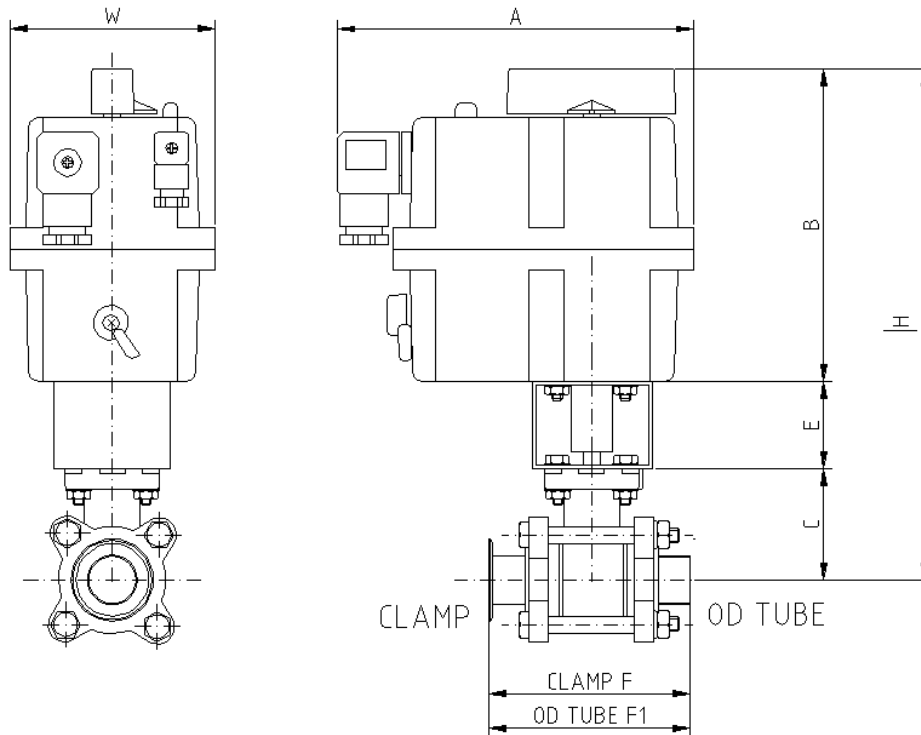
DIMENSIONS



Doc: J3/2610/01

Nov 2007

Electrically operated hygienic stainless ball valve with kit - Dimensions (to nearest mm)



Dimensions remain unchanged for all versions (on-off, failsafe & modulating)

	Model	A	B	C	E	F	FI	H	W	Kilos
1/2"	20	177	149	42	50	89	135	241	110	2.4
3/4"	20	177	149	48	50	101	141	247	110	2.5
1"	20	177	149	57	50	115	162	256	110	3.0
1 1/4"	20	177	149	61	50	140	182	260	110	3.6
1 1/2"	35	177	171	78	50	159	192	299	110	5.2
2"	55	177	196	85	50	174	248	331	110	6.9



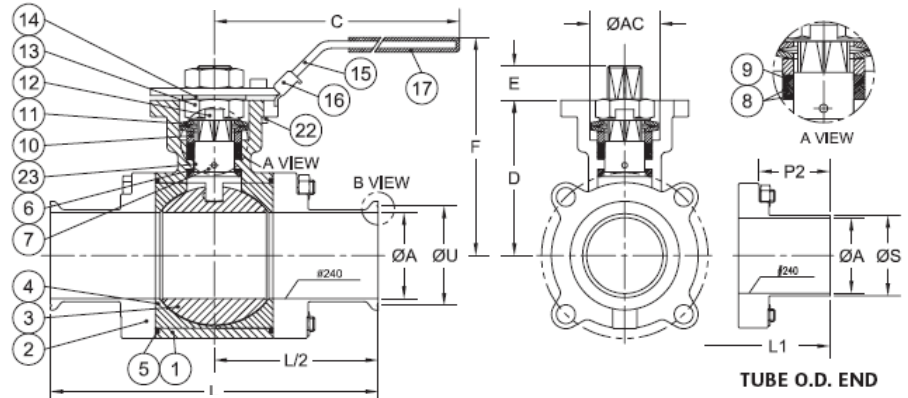
Valve Data Sheet



Doc SBV-M77SN/01

Nov 2007

Hygienic direct mount 3 piece stainless steel ball valve



Specifications:

Construction	3 Pce direct mount ball valve
Size Range (Full)	1/2" to 4" BSP
Pressure Rating	1000 psi max
Valve Body/ Ends Material	ASTM A351 CF3M
Ball Material	SS 316L
Seat Material	Cavity filled PTFE
Seal Material (Options)	PTFE
Inspection & Test	API 598 BS6755 Pt 1
Standards	ANSI B16.34, ANSI 16.25, ANSI B1.20, API 6D ISO5211 DIN 259, DIN 2999, DIN3337. MSS SP25
Certification	EN 10204 3.1b on request
Temperature Range	-20 to +200C

Approvals:

Approved ?



PED/97/23/EC



ATEX 94/9/EC
II 2 GD



API 607 4th Ed'n /
BS6755 Pt 2



TA-Luft



Dimensions:

Size	A	B	C	D	DD1	DD2	E	F	L	L1	P2	S	U	V	Z1	Z2	AC	AD	LBS	ISO5211
1/2"	0.37	0.354	5.47	1.66	1.417	1.654	0.25	3.03	3.51	5.50	1.92	0.50	-	0.99	0.24	0.24	0.92	0.430	1.5	F03/F04
3/4"	0.62	0.354	5.47	1.89	1.417	1.654	0.27	3.27	4.00	5.75	1.96	0.75	-	0.99	0.24	0.24	0.92	0.430	1.8	F03/F04
1"	0.87	0.433	6.50	2.23	1.654	1.969	0.44	3.74	4.51	6.25	2.00	1.00	1.71	1.99	0.24	0.28	1.14	0.563	2.7	F04/F05
1-1/2"	1.37	0.551	8.47	3.05	1.969	2.756	0.56	5.00	5.52	7.50	2.23	1.50	1.71	1.99	0.28	0.34	1.54	0.744	7.0	F05/F07
2"	1.87	0.551	8.47	3.35	1.969	2.756	0.56	5.28	6.26	8.50	2.46	2.00	2.20	2.52	0.28	0.34	1.54	0.744	9.8	F05/F07
2-1/2"	2.37	0.669	11.81	4.28	2.756	4.016	0.67	6.54	6.85	9.75	2.55	2.50	2.78	3.05	0.34	0.47	2.07	0.885	19.6	F07/F10
3"	2.87	0.669	14.57	4.63	2.756	4.016	0.71	6.93	7.61	10.50	2.69	3.00	3.28	3.58	0.34	0.47	2.07	0.885	25.9	F07/F10
4"	3.83	0.669	14.57	5.22	2.756	4.016	0.67	7.48	8.90	12.50	3.14	4.00	4.34	4.68	0.34	0.47	2.07	0.885	47.4	F07/F10