



Model HQ-2113



Doc: HQ/2113/01
Nov 2009

IP67 Electrically operated 2 way 316SS ball valve with mounting kit

Full bore 2 way 316 stainless steel ball valve, designed for automation with integrally cast ISO5211 actuator mounting platform fitted via stainless steel mounting HQ-04 electric actuator. Supplied assembled and dry bench function tested. Full size range from 1/4" to 4".



Type	Power supply & function
HQ-2113-240	220/1ph/50Hz (or 60Hz) On-off
HQ-2113-110	110/1ph/50Hz (or 60Hz) On-off
HQ-2113-24AC	24/1ph/50Hz (or 60Hz) On-off
HQ-2113-24VDC	24VDC On-off

For failsafe or modulating applications see the Type: J3-2110

Applications:

Water, oil and many corrosive medias, subject to compatibility with wetted parts in contact with media. Actuators sized on a maximum differential pressure of 10 bar wet service, if the intended duty is above this differential, or dry (air or gas) call to check actuator sizing as a larger output actuator may be required.

Maximum working temperature of assembly is +130C. If the intended duty is a higher temperature than this, contact us for options.

Valve Specifications:

Body	CF8M Cast 316SS
Ball	CF8M Cast 316SS
Seats	RTFE
Pressure rating	UTI 2" 1000psi CWP
Valve temp limits	-20 to +200°C
Actuator temp limits	-20 to + 70°C



Quick guide to the HQ electric actuator standard features :

IP67 Weatherproof housing.
(Can be submerged for a maximum of 30 minutes under a maximum of 1m of water.)

Torque output 40Nm - 2000Nm

Available supply voltages:

- 220V AC / 1ph
- 110V AC / 1ph
- 24V AC / 1ph
- 24V DC

Anti-condensation heater

Manual override facility

2 End of travel SPDT switches

2 x M20 Conduit cable entries

Terminal strip inside

-20 to +70C Ambient temperature range

Duty cycle S2 = 35%

Dry powder polyester coated aluminium housing.

Serial numbered





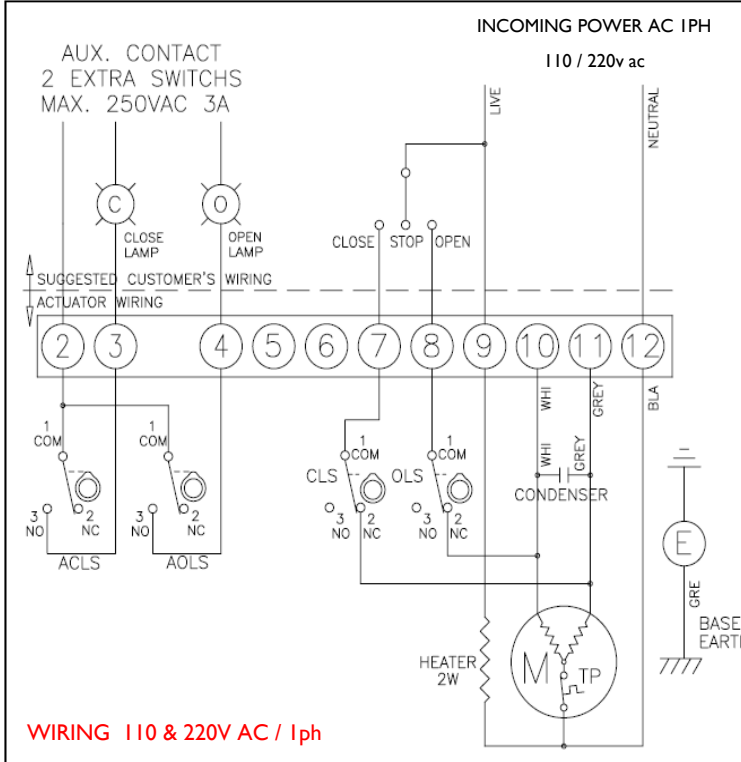
Model HQ-2113

WIRING DIAGRAMS



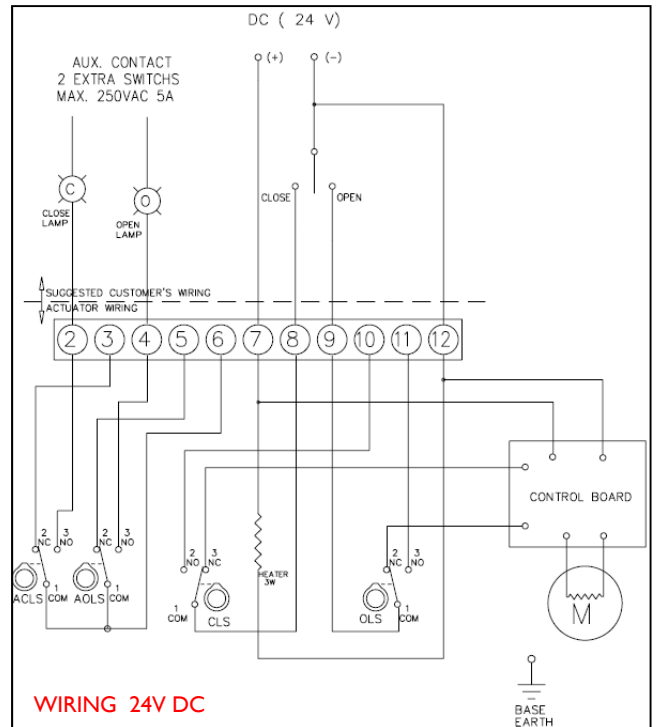
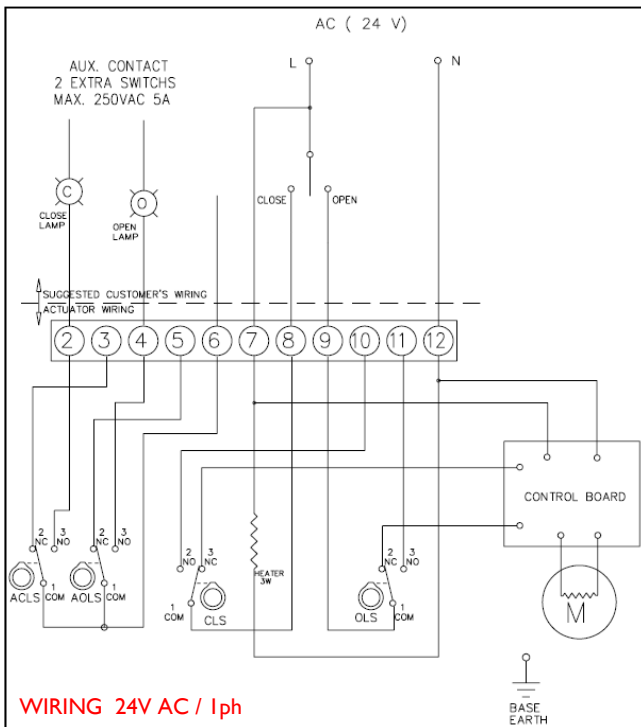
Doc: HQ/2113/01

Nov 2009



SYMBOL	DESCRIPTION	RATING
CLS	CLOSE MOTOR STOP SWITCH	250VAC 5A
OLS	OPEN MOTOR STOP SWITCH	250VAC 5A
ACLs	AUX CLOSE LIMIT SWITCH	250VAC 5A
AOLS	AUX OPEN LIMIT SWITCH	250VAC 5A
TP	THERMAL PROTECTOR	250VAC 15A

IMPORTANT NOTE:
Each actuator should be powered through its own individual switch or relay contacts to prevent cross feed between two or more actuators





Model HQ-2113

DIMENSIONS

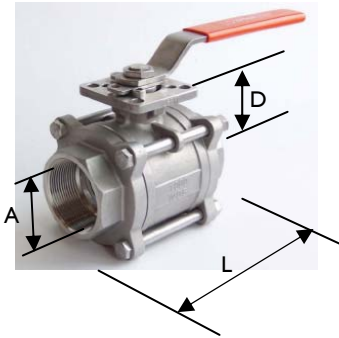


Doc: HQ/2113/01

Nov 2009

IP67 Electrically operated 3 pce stainless steel ball valve - Dimensions (mm)

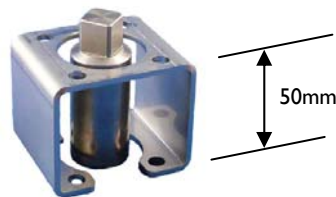
Valve dimensions



DIMENSIONS (mm)

SIZE	A	B	C	D	d1	d2	E	F	G	H	L	S	T	P	Q	L1	V	W
1/4"	37	11	130	11	6.0	6.0	58	36	42	9	60.5	14.2	11.1	10	12.5	60.5	19	44
3/8"	37	11	130	12.5	6.0	6.0	58	36	42	9	60.5	17.5	11.1	12	14.5	60.5	19	44
1/2"	37	11	130	15	6.0	6.0	58	36	42	9	63.5	21.8	12.7	15	17.5	63.5	19	44
3/4"	40	11	130	20	6.0	6.0	64	36	42	9	75.5	27.1	14.3	20	22.5	75.5	19	44
1"	48	14	155	25	6.0	7.0	77	42	50	11	86	33.8	15.9	25	28	86	24	52
1 1/4"	53.5	14	155	32	6.0	7.0	83	42	50	11	96	42.5	17.5	32	35	104	24	52
1 1/2"	63.5	18	205	38	7.0	9.0	92	50	70	14	111	48.7	19.1	38	41	117	28	53
2"	72	18	205	50	7.0	9.0	100	50	70	14	129	61.1	22.2	50	54	138	28	53
2-1/2"	92	22	290	65	9.0	11.3	140	70	102	17	152.5	73.9	22.2	65	70	170	-	-
3"	102	22	290	80	9.0	11.3	150	70	102	17	168.5	89.9	25.4	80	85	192	-	-
4"	32	26	335	100	11.3	13.5	195	102	125	22	212.5	115.2	32	100	105	226	-	-

Standard mounting kit dimensions



Actuator dimensions

