

J2

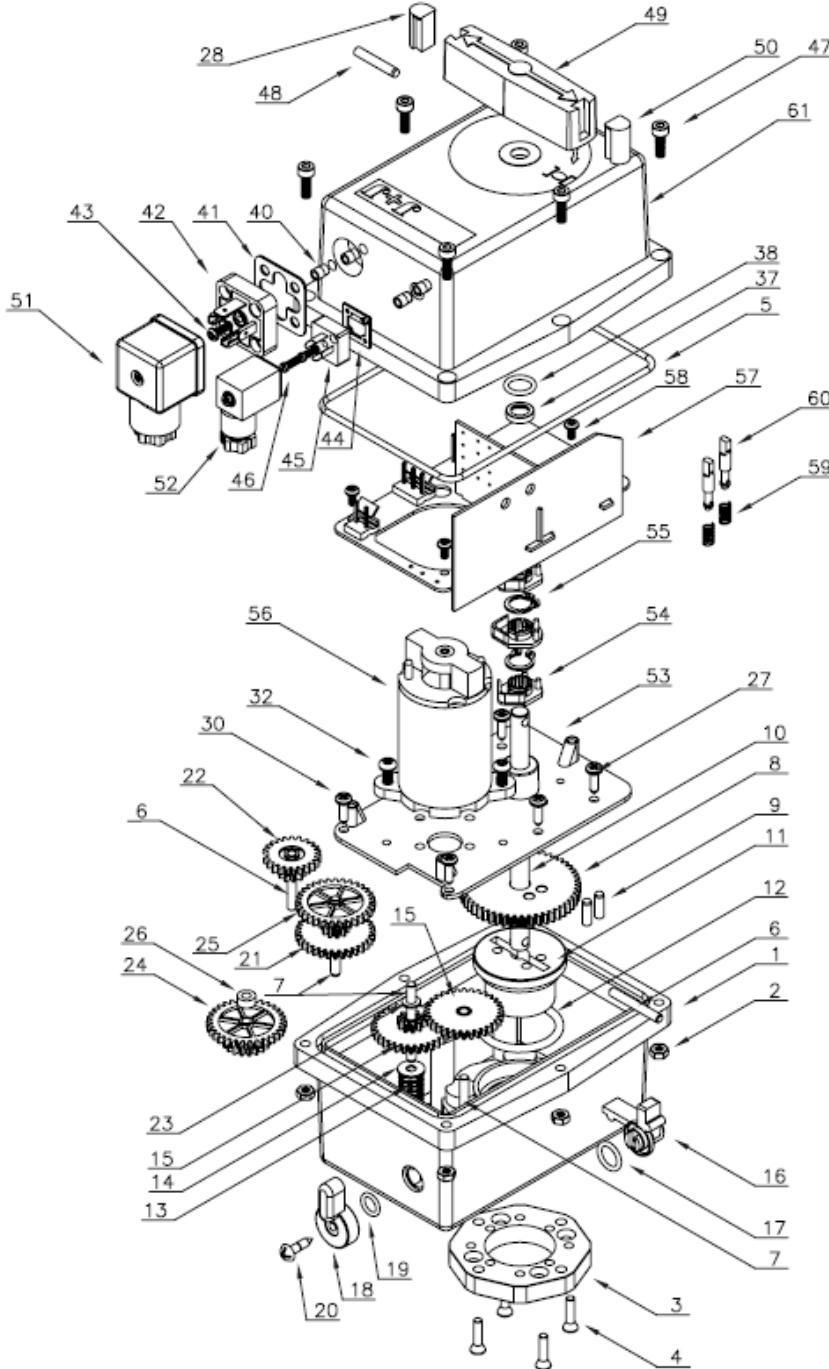
Exploded View J2-20



Doc: J2-20.EV/01

March 2007

Model J2 20



ITEM	QTY	DESCRIPTION
1	1	BODY J2 020
2	6	NUT
3	1	OUTPUT FLANGE
4	4	CONICAL FLANGE SCREW
5	1	O-RING
6	2	PIN 1
7	3	PIN 2
8	1	OUTPUT GEAR
9	2	PIN 3
10	1	OUTPUT SHAFT
11	1	FEMALE OUTPUT DRIVE
12	1	O-RING 1
13	1	DISENGAGEMENT SPRING
14	1	DISENGAGEMENT WHASER
15	2	GEAR 1
16	1	INT. DISENGAGEMENT J2 20
17	1	O-RING 2
18	1	EXT. DISENGAGEMENT LEVER J2 20
19	1	O-RING 3
20	1	DISENGAGEMENT SCREW
21	1	GEAR 2
22	1	GEAR 4
23	1	BUSHING 1
24	1	GEAR 5
25	1	GEAR 6
26	1	BUSHING 2
27	4	PLATE SCREW
28	1	BLACK VISUAL POSITION INDICATOR
30	2	PLATE SCREW
32	2	MOTOR SCREW
37	1	BUSHING 3
38	1	O-RING 4
40	4	INSERT
41	1	JOINT BIG CONNECTOR
42	1	BASE BIG CONNECTOR
43	2	BINDING SCREW BIG CONNECTOR
44	1	JOINT SMALL CONNECTOR
45	1	BASE SMALL CONNECTOR
46	2	BINDING SCREW SMALL CONNECTOR
47	6	SCREW COVER
48	1	PIN 4
49	1	EMERGENCY MANUAL OVERRIDE
50	2	YELLOW POSITION INDICATOR
51	1	BIG CONNECTOR
52	1	SMALL CONNECTOR
53	1	PLATE BASE J2 20
54	4	CAM
55	4	SEEGER CIRCLIP 1
56	1	ELECTRIC MOTOR J2 20
57	1	PRINT CIRCUIT BOARD
58	3	PCB SCREW
59	2	FASTENING SPRING
60	2	FASTENER
61	1	TOP COVER